



[return to CMSH Series specifications](#) | [repair services](#)

CMSH 100 Calibration

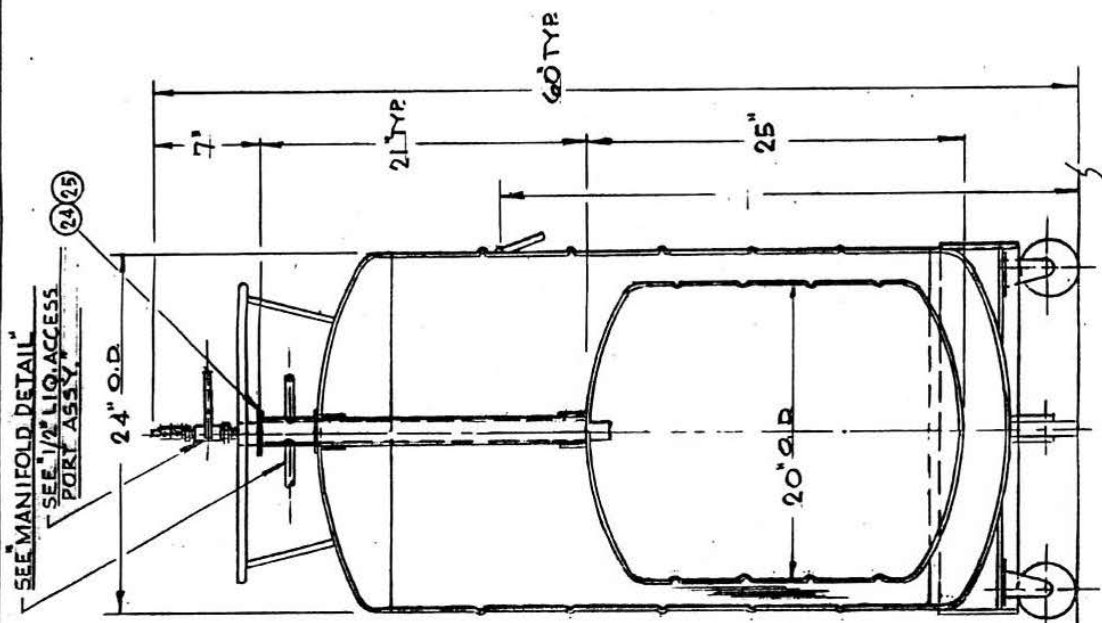
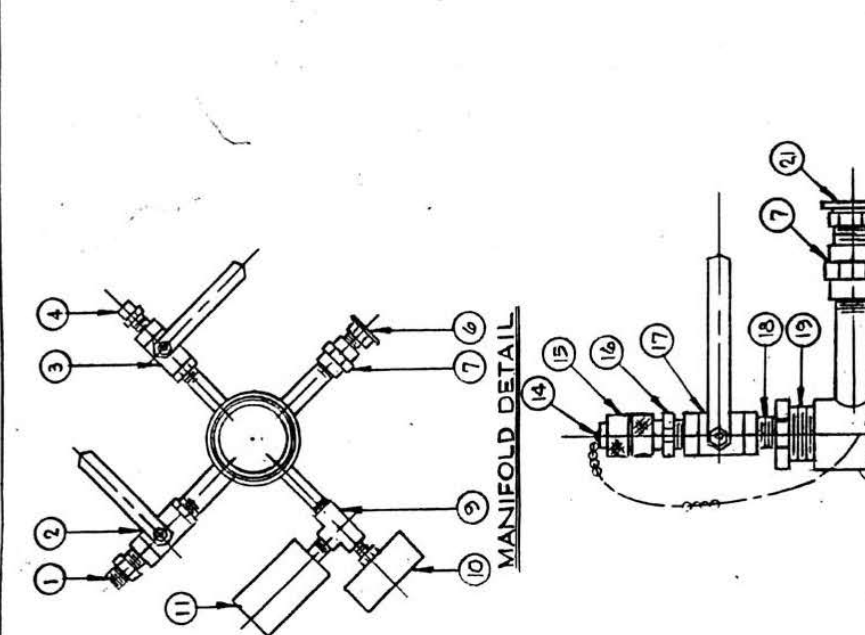
in.	liters
1	1.0
2	3.5
3	7.3
4	12.0
5	17.0
6	22.0
7	27.1
8	32.2
9	37.3
10	42.3
11	47.4
12	52.5
13	57.5
14	62.6
15	67.7
16	72.8
17	77.8
18	82.9
19	88.0
20	93.1
21	98.1
22	102.7
23	106.5
24	109.1
25	110.0

cm	liters	cm	liters
1	0.2	33	57.5
2	0.6	34	59.5
3	1.3	35	61.5
4	2.3	36	63.5
5	3.4	37	65.5
6	4.8	38	67.5
7	6.3	39	69.5
8	8.0	40	71.5
9	9.8	41	73.5
10	11.7	42	75.5
11	13.6	43	77.5
12	15.6	44	79.5
13	17.6	45	81.5
14	19.6	46	83.5
15	21.6	47	85.5
16	23.6	48	87.4
17	25.6	49	89.4
18	27.6	50	91.4
19	29.5	51	93.4
20	31.5	52	95.4
21	33.5	53	97.4
22	35.5	54	99.3
23	37.5	55	101.1
24	39.5	56	102.9
25	41.5	57	104.5
26	43.5	58	105.9
27	45.5	59	107.2
28	47.5	60	108.2
29	49.5	61	109.1
30	51.5	62	109.7
31	53.5	63	110.0
32	55.5		

Cryofab | sales@cryofab.com
 phone: 800.426.2186 | 908.686.3636
 fax: 908.686.9538
 540 North Michigan Avenue,
 PO Box 485
 Kenilworth, NJ, USA 07033

© Cryofab 2017

PARTS LIST			
NO.	REQ.	DESCRIPTION	MA
1	1	HEX NIPPLE, 1/2" NPT	BRA
2	1	BALL VALVE, 1/2" NPT	BRO
3	1	BALL VALVE, 1/4" NPT	BRO
4	1	RELIEF VALVE, 1/4" NPT, 1/2 PSIG	BRA
5	1	NOT LISTED	
6	1	RELIEF VALVE, 1/2" NPT, 10 PSIG	BRA
7	2	COUPLING, 1/2" NPT	BRA
8	1	NOT LISTED	
9	1	TEE, 1/4" NPT	BRA
10	1	COMPOUND GAUGE, 30 1/2" O-30 PSIG	5/3
11	1	OSCILLATION CHAMBER	304
12	1	PLUG & CHAIN, 3/8"	
13	1	QUICK COUPLING, 3/8"	BRA
14	1	QUICK COUPLING, THRD. 1/4"	BRA
15	1	BALL VALVE, LIQ. 1/2" NPT	BRA
16	1	CLOSE NIPPLE, 1/2" NPT	BRA
17	1	BUSHING, 1/2" FNPT x 1" MNPT	BRA
18	1	NOT LISTED	
19	1	RELIEF VALVE, 1/2" NPT, 15 PSIG	BRA
20	1	FLANGE ASSY.	5/3
21	1	GUIDE TUBE, 7" O.D.*	G-1
22	1	CLAMP LIGHT DUTY, 3/4"	BRA
23	1	GASKET, 2 1/2"	BRA
24	1	PUMP OUT (NOT SHOWN)	



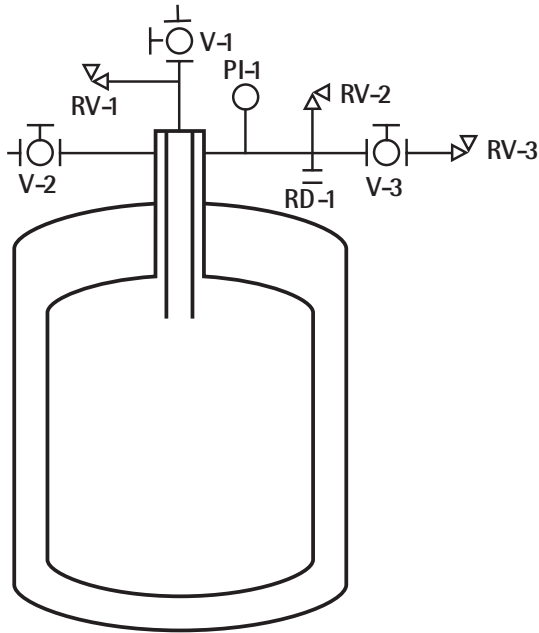
1/2" LIQUID ACCESS PORT ASSY. SHOWN (SEE FIG. A) FOR DETAIL.
ADDITIONAL LIQUID ACCESS PORT CONFIGURATIONS ARE AVAILABLE.

Cryotab

LINDEN, N.J. 07036

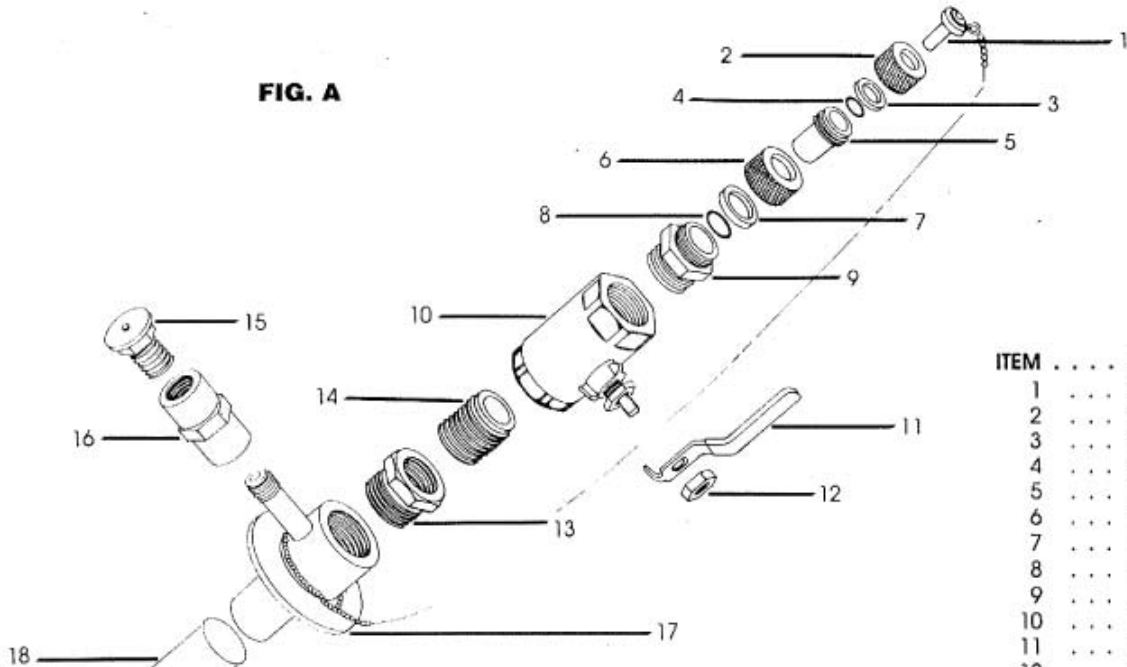
MULTISHIELDED LIQUID HELIUM STORAGE	
DEWAR, 100 LITER CAPACITY	
DATE	DRAWING NO.
EWE	NTS
APPROVED	CRISH-100

Piping Schematic



1/2" Liquid Access Port Assembly (for vessel capacities of 150 liters and less)

FIG. A



ITEM	DESCRIPTION
1	3/8" PLUG & CHA
2	3/8" NUT
3	3/8" FERRULE
4	3/8" O-RING
5	3/8" BODY
6	1/2" NUT
7	1/2" FERRULE
8	1/2" O-RING
9	1/2" BODY
10	1/2" BALL VALV
11	HANDLE
12	NUT
13	BUSHING
14	1/2" CLOSE NIPPL
15	1/2" RELIEF VALV
16	1/2" COUPLING
17	FLANGE ASSEMB
18	7/8" OD GUIDE

CRYOFAB, INC.
 540 North Michigan Avenue, P.O. Box 485, Kenilworth, New Jersey 07033
 PHONE: (201) 686-3636 • FAX: (201) 686-9538 • TELEX: 4972137