



[return to CMSH Series specifications](#) | [repair services](#)

## CMSH 250 Calibration

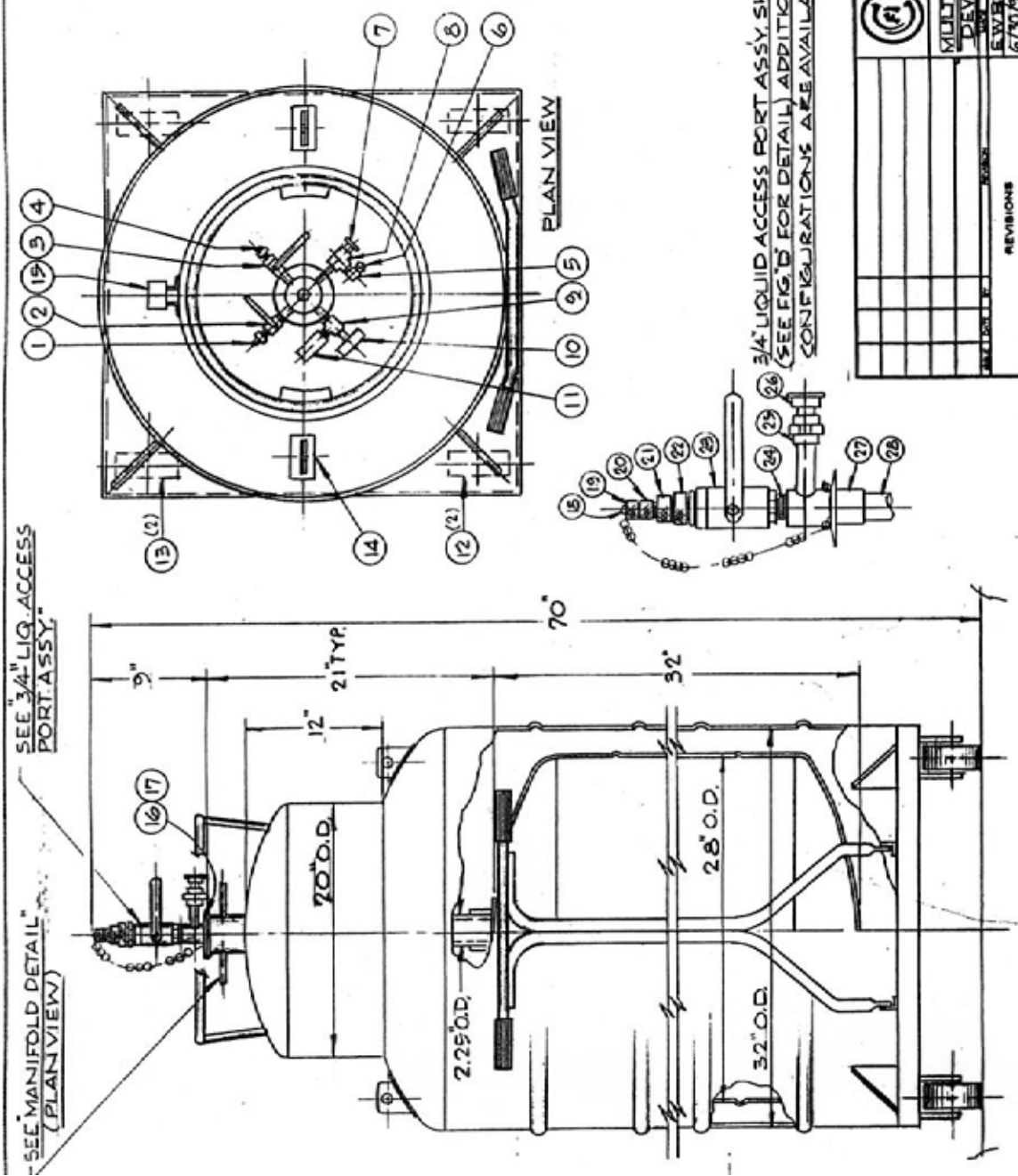
in.	liters
1	1.4
2	5.2
3	11.1
4	18.6
5	27.3
6	36.9
7	46.8
8	56.9
9	66.9
10	76.9
11	86.9
12	96.9
13	107.0
14	117.0
15	127.0
16	137.0
17	147.0
18	157.1
19	167.1
20	177.1
21	187.1
22	197.1
23	207.2
24	217.2
25	227.2
26	237.2
27	246.7
28	255.5
29	263.0
30	268.9
31	272.7
32	274.1

cm	liters	cm	liters
1	0.2	42	142.3
2	0.9	43	146.3
3	1.9	44	150.2
4	3.3	45	154.2
5	5.0	46	158.1
6	7.1	47	162.1
7	9.5	48	166.0
8	12.1	49	169.9
9	15.0	50	173.9
10	18.1	51	177.8
11	21.4	52	181.8
12	24.8	53	185.7
13	28.4	54	189.7
14	32.1	55	193.6
15	36.0	56	197.6
16	39.8	57	201.5
17	43.8	58	205.4
18	47.7	59	209.4
19	51.6	60	213.3
20	55.6	61	217.3
21	59.5	62	221.2
22	63.5	63	225.2
23	67.4	64	229.1
24	71.4	65	233.0
25	75.3	66	236.9
26	79.2	67	240.8
27	83.2	68	244.5
28	87.1	69	248.1
29	91.1	70	251.6
30	95.0	71	255.0
31	99.0	72	258.1
32	102.9	73	261.1
33	106.9	74	263.8
34	110.8	75	266.2
35	114.7	76	268.4
36	118.7	77	270.2
37	122.6	78	271.7
38	126.6	79	272.9
39	130.5	80	273.6
40	134.5	81	273.9
41	138.4		



**PARTS LIST**

NO.	REQ.	DESCRIPTION	MATL.
1	1	HEX. NIPPLE, 1/2" NPT.	BRASS
2	1	BALL VALVE, 1/2" NPT.	BRONZE
3	1	BALL VALVE, 1/4" NPT.	BRONZE
4	1	RELIEF VALVE, 1/4" NPT, 1/2" PSIG	BRASS
5	1	ELBOW, 90°, 1/2" NPT.	BRASS
6	1	RUPTURE DISC, 1/2" NPT, 99 PSIG	BRASS
7	1	RELIEF VALVE, 1/2" NPT, 100 PSIG	BRASS
8	1	TEE, 1/2" NPT.	BRASS
9	1	TEE, 1/4" NPT.	BRASS
10	1	CORROSION GAUGE, 30" H <sub>2</sub> O-PSIG	5/5
11	1	OSCILLATION CHAMBER	304 S/S
12	2	SWIVEL CASTERS	5/5
13	2	RIGID CASTERS	5/5
14	2	LIFTING LUGS	304 S/S
15	1	PUMP-OUT	
16	1	CLAMP, 2 1/2" HVY. DUTY	
17	1	GASKET, 2 1/2"	BLUNA
18	1	PLUG & CHAIN, 3/8"	
19	1	QUICK COUPLING, 3/8"	BRASS
20	1	QUICK COUPLING, PLAIN, 1/2"	BRASS
21	1	QUICK COUPLING, 3/8"	BRASS
22	1	QUICK COUPLING, 3/4"	BRASS
23	1	BALL VALVE, 1" NPT.	BRONZE
24	1	CLOSE NIPPLE, 1" NPT.	BRASS
25	1	COUPLING, 1/2" NPT.	BRASS
26	1	RELIEF VALVE, 1/2" NPT, 100 PSIG	BRASS
27	1	FLANGE ASSY	5/5
28	1	GUIDE TUBE, 1/4" O.D.	G-10

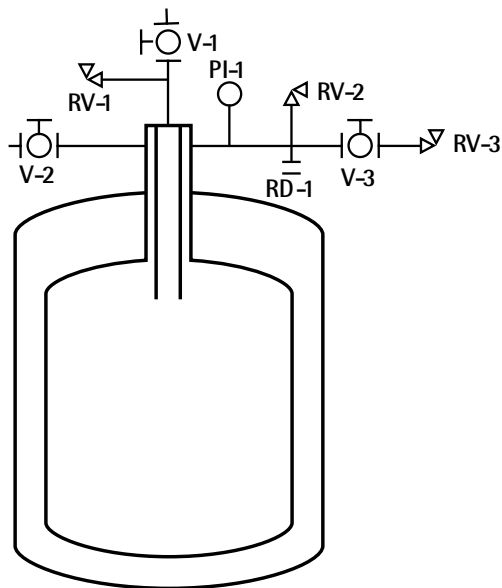


**CYOTAP**  
CORP. WORTH, N.C. 27685

MULTISHIELDED LIQUID HELIUM STORAGE  
DEWAR 250 LITER CAPACITY

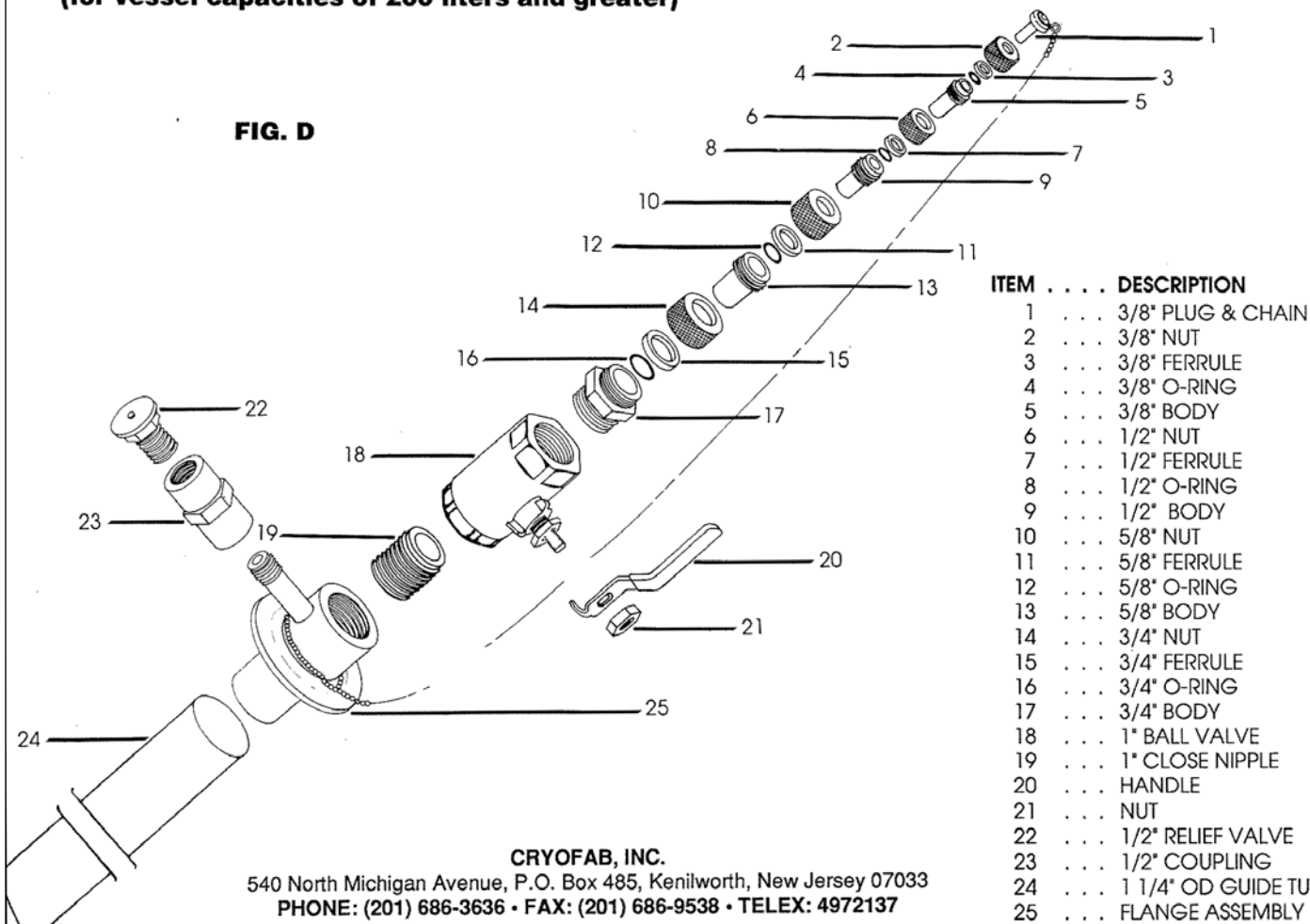
REV. 1	6/30/58	NTS	CM15H-250
REVISIONS			

### Piping Schematic



### 3/4" Liquid Access Port Assembly (for vessel capacities of 200 liters and greater)

FIG. D



CRYOFAB, INC.

540 North Michigan Avenue, P.O. Box 485, Kenilworth, New Jersey 07033

PHONE: (201) 686-3636 • FAX: (201) 686-9538 • TELEX: 4972137