



CMSH 350 Calibration

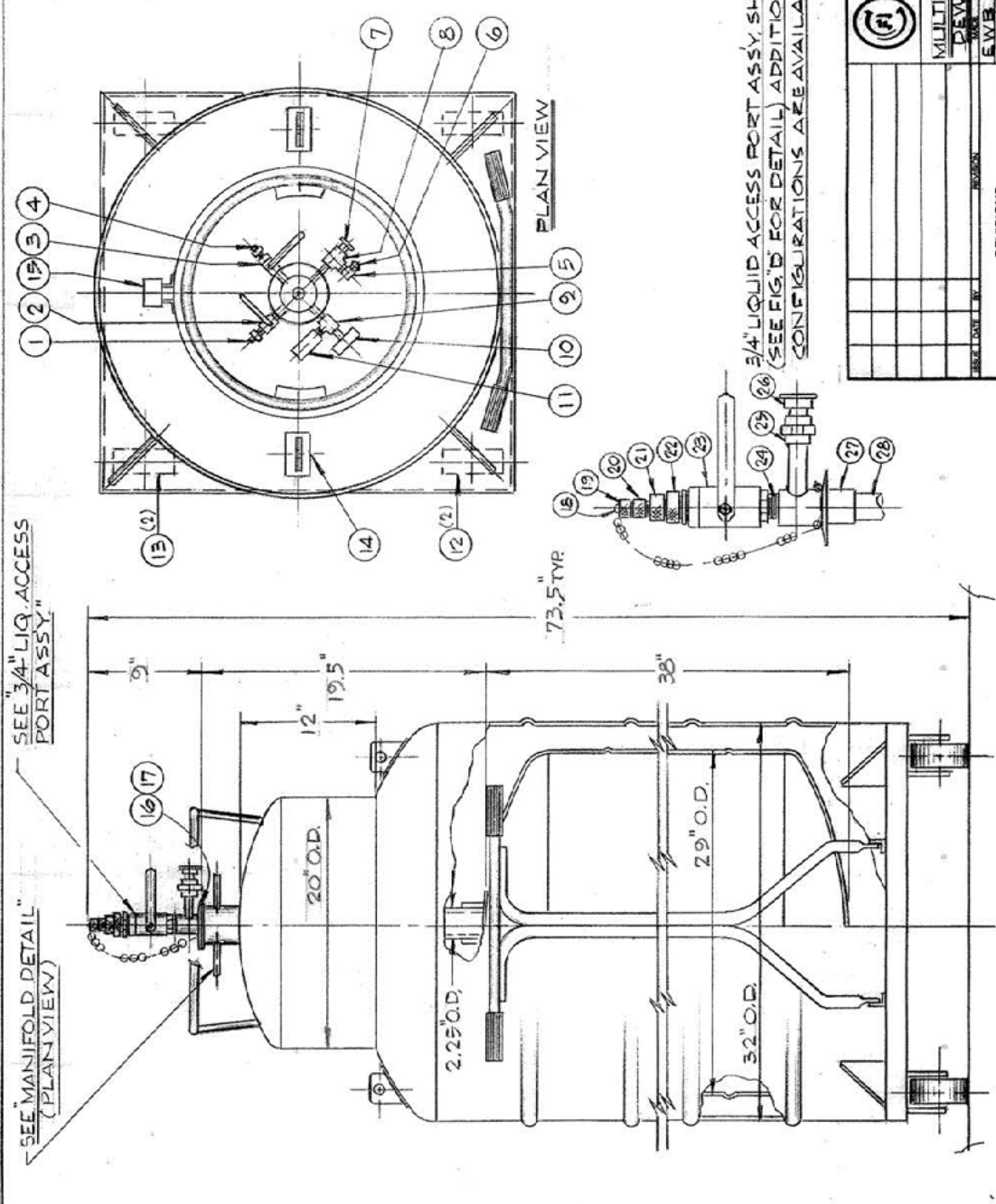
| IN. | LITERS |
|-----|--------|
| 1 | 1.5 |
| 2 | 5.8 |
| 3 | 13.5 |
| 4 | 23.2 |
| 5 | 33.8 |
| 6 | 44.6 |
| 7 | 55.3 |
| 8 | 66.0 |
| 9 | 76.8 |
| 10 | 87.5 |
| 11 | 98.3 |
| 12 | 109.0 |
| 13 | 119.7 |
| 14 | 130.5 |
| 15 | 141.2 |
| 16 | 151.9 |
| 17 | 162.7 |
| 18 | 173.4 |
| 19 | 184.1 |
| 20 | 194.9 |
| 21 | 205.6 |
| 22 | 216.3 |
| 23 | 227.1 |
| 24 | 237.8 |
| 25 | 248.5 |
| 26 | 259.3 |
| 27 | 270.0 |
| 28 | 280.8 |
| 29 | 291.5 |
| 30 | 302.2 |
| 31 | 313.0 |
| 32 | 323.7 |
| 33 | 334.4 |
| 34 | 345.1 |
| 35 | 354.8 |
| 36 | 362.4 |
| 37 | 366.8 |
| 38 | 368.3 |

| CM | LITERS |
|----|--------|
| 1 | 0.2 |
| 2 | 0.9 |
| 3 | 2.1 |
| 4 | 3.6 |
| 5 | 5.7 |
| 6 | 8.1 |
| 7 | 11.1 |
| 8 | 15.0 |
| 9 | 18.7 |
| 10 | 22.6 |
| 11 | 26.8 |
| 12 | 31.0 |
| 13 | 35.2 |
| 14 | 39.4 |
| 15 | 43.6 |
| 16 | 47.9 |
| 17 | 52.1 |
| 18 | 56.3 |
| 19 | 60.5 |
| 20 | 64.8 |
| 21 | 69.0 |
| 22 | 73.2 |
| 23 | 77.4 |
| 24 | 81.7 |
| 25 | 85.9 |
| 26 | 90.1 |
| 27 | 94.3 |
| 28 | 98.6 |
| 29 | 102.8 |
| 30 | 107.0 |
| 31 | 111.3 |
| 32 | 115.5 |
| 33 | 119.7 |
| 34 | 123.9 |
| 35 | 128.2 |
| 36 | 132.4 |
| 37 | 136.6 |
| 38 | 140.8 |
| 39 | 145.1 |
| 40 | 149.3 |
| 41 | 153.5 |
| 42 | 157.7 |
| 43 | 162.0 |
| 44 | 166.2 |
| 45 | 170.4 |
| 46 | 174.6 |
| 47 | 178.9 |
| 48 | 183.1 |


| CM | LITERS |
|----|--------|
| 49 | 187.3 |
| 50 | 191.5 |
| 51 | 195.8 |
| 52 | 200.0 |
| 53 | 204.2 |
| 54 | 208.5 |
| 55 | 212.7 |
| 56 | 216.9 |
| 57 | 221.1 |
| 58 | 225.4 |
| 59 | 229.6 |
| 60 | 233.8 |
| 61 | 238.0 |
| 62 | 242.3 |
| 63 | 246.5 |
| 64 | 250.7 |
| 65 | 254.9 |
| 66 | 259.2 |
| 67 | 263.4 |
| 68 | 267.6 |
| 69 | 271.8 |
| 70 | 276.1 |
| 71 | 280.3 |
| 72 | 284.5 |
| 73 | 288.8 |
| 74 | 293.0 |
| 75 | 297.2 |
| 76 | 301.4 |
| 77 | 305.7 |
| 78 | 309.9 |
| 79 | 314.1 |
| 80 | 318.3 |
| 81 | 322.6 |
| 82 | 326.8 |
| 83 | 331.0 |
| 84 | 335.2 |
| 85 | 339.5 |
| 86 | 343.6 |
| 87 | 347.7 |
| 88 | 351.6 |
| 89 | 355.2 |
| 90 | 358.8 |
| 91 | 361.5 |
| 92 | 363.8 |
| 93 | 365.6 |
| 94 | 366.9 |
| 95 | 367.9 |
| 96 | 368.3 |

Cryofab | [sales\(at\)cryofab.com](mailto:sales(at)cryofab.com)
 phone: 800.426.2186 | 908.686.3636
 fax: 908.686.9538
 540 North Michigan Avenue,
 PO Box 485
 Kenilworth, NJ, USA 07033

| NO. REQ. | DESCRIPTION | MAT'L. |
|----------|-------------------------------------|---------|
| 1 | HEX NIPPLE, 1/2" NPT | BRASS |
| 2 | BALL VALVE, 1/2" NPT | BRONZE |
| 3 | BALL VALVE, 1/4" NPT | BRONZE |
| 4 | RELIEF VALVE, 1/4" NPT, 1/2" PSIG | BRASS |
| 5 | ELBOW, 90°, 1/2" NPT | BRASS |
| 6 | RUPTURE DISC, 1/2" NPT, 38" PSIG | BRASS |
| 7 | RELIEF VALVE, 1/2" NPT, 10" PSIG | BRASS |
| 8 | TEE, 1/2" NPT | BRASS |
| 9 | TEE, 1/4" NPT | BRASS |
| 10 | CORROSION GAUGE, 30" HG, 0-15" PSIG | 5/5 |
| 11 | OSCILLATION CHAMBER | 304 1/5 |
| 12 | SWIVEL CASTERS | 5/5 |
| 13 | RIGID CASTERS | 5/5 |
| 14 | LIFTING LUGS | 304 1/5 |
| 15 | PUMP-O-LIT | |
| 16 | CLAMP, 2 1/2", H.V.Y. DUTY | ELINA |
| 17 | GASKET, 2 1/2" | |
| 18 | PLUG & CHAIN, 3/8" | |
| 19 | QUICK COUPLING, 3/4" | BRASS |
| 20 | QUICK COUPLING, PLAIN, 1/2" | BRASS |
| 21 | QUICK COUPLING, 5/8" | BRASS |
| 22 | QUICK COUPLING, 3/4" | BRASS |
| 23 | BALL VALVE, 1" NPT | BRONZE |
| 24 | CLOSE NIPPLE, 1" NPT | BRASS |
| 25 | COUPLING, 1/2" NPT | BRASS |
| 26 | RELIEF VALVE, 1/2" NPT, 15" PSIG | BRASS |
| 27 | FLANGE ASSY | 5/5 |
| 28 | GUIDE TUBE, 1 1/4" O.D. | G-10 |



3/4" LIQUID ACCESS PORT ASSY, SHOWN.
 (SEE FIG. D FOR DETAIL) ADDITIONAL
 CONFIGURATIONS ARE AVAILABLE.



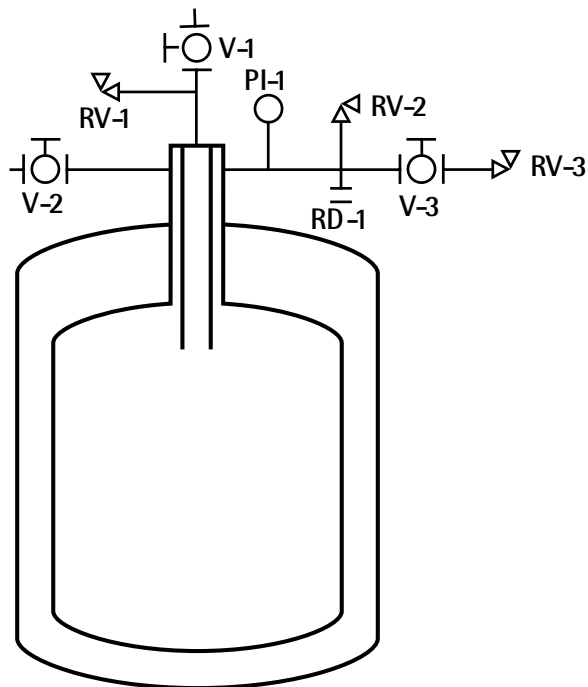
CryoFab
 KENILWORTH, N.J. 07033

MULTISHIELDED LIQUID HELIUM STORAGE
DEWAR, 350 LITER CAPACITY

REV. 10/80
 6/30/9A

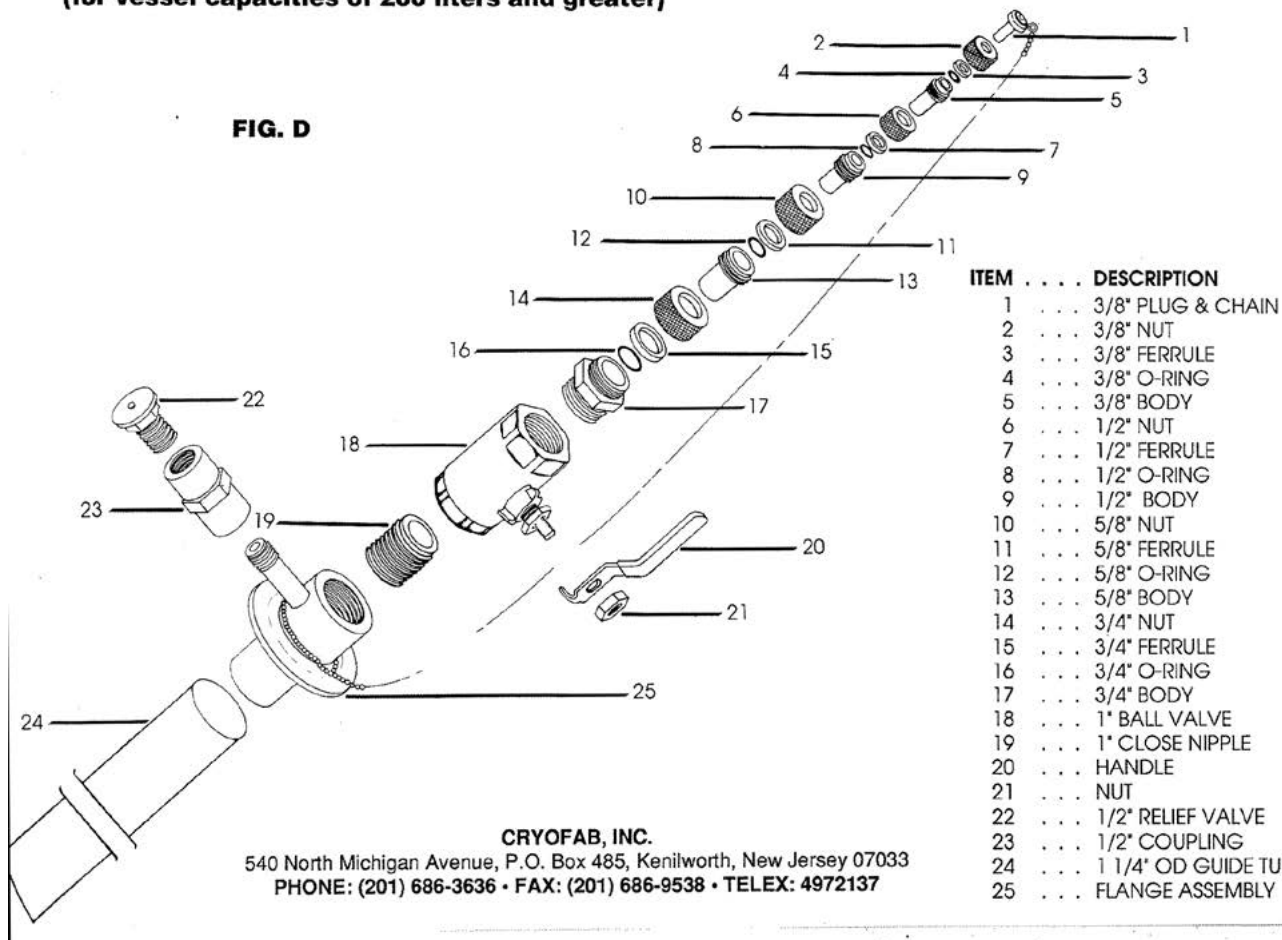
DESIGNER: N.T.S.
 PART: CM5H-350

Piping Schematic



3/4" Liquid Access Port Assembly (for vessel capacities of 200 liters and greater)

FIG. D



CRYOFAB, INC.
540 North Michigan Avenue, P.O. Box 485, Kenilworth, New Jersey 07033
PHONE: (201) 686-3636 • FAX: (201) 686-9538 • TELEX: 4972137