



[return to CMSH Series specifications](#) | [repair services](#)

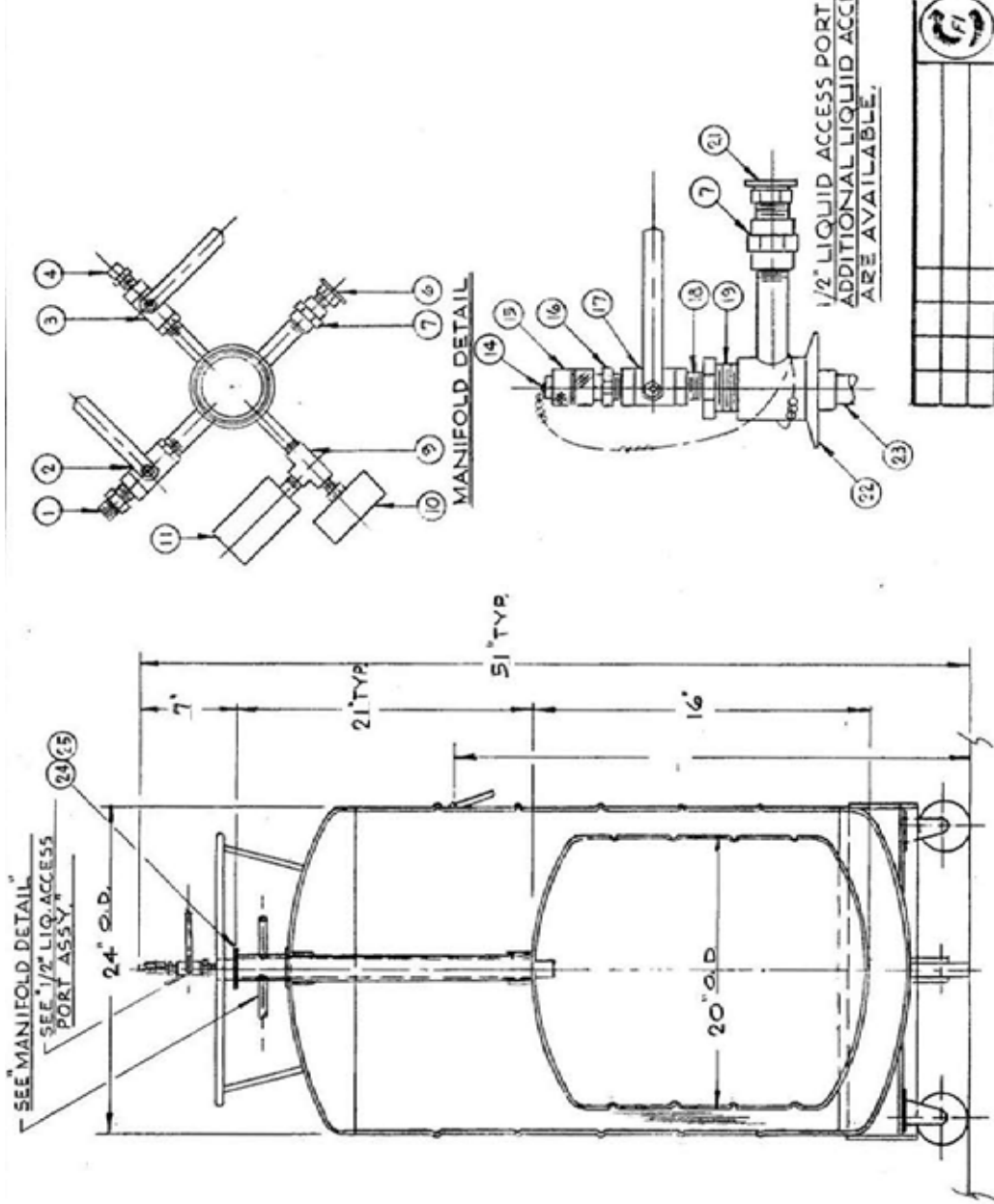
## CMSH 60 Calibration

IN.	LITERS
1	1.0
2	3.5
3	7.3
4	12.0
5	17.0
6	22.0
7	27.1
8	32.2
9	37.3
10	42.3
11	47.4
12	52.4
13	57.0
14	60.8
15	63.4
16	64.4

CM	LITERS
1	0.2
2	0.6
3	1.3
4	2.3
5	3.4
6	4.8
7	6.3
8	8.0
9	9.8
10	11.7
11	13.6
12	15.6
13	17.6
14	19.6
15	21.6
16	23.6
17	25.6
18	27.5
19	29.5
20	31.5
21	33.5
22	35.5
23	37.5
24	39.5
25	41.5
26	43.5
27	45.5
28	47.5
29	49.5
30	51.5
31	53.4
32	55.2
33	57.0
34	58.6
35	60.1
36	61.4
37	62.5
38	63.3
39	64.0
40	64.3

Cryofab | [sales\(at\)cryofab.com](mailto:sales(at)cryofab.com)  
 phone: 800.426.2186 | 908.686.3636  
 fax: 908.686.9538  
 540 North Michigan Avenue,  
 PO Box 485  
 Kenilworth, NJ, USA 07033

PARTS LIST		
NO. REQ	DESCRIPTION	MAT'L
1	HEX NIPPLE, 1/2" NPT	BRASS
2	BALL VALVE, 1/2" NPT	BRONZE
3	BALL VALVE, 1/4" NPT	BRONZE
4	RELIEF VALVE, 1/4" NPT, 1/2 PSIG	BRASS
5	NOT USED	
6	RELIEF VALVE, 1/2 NPT, 10 PSIG	BRASS
7	COUPLING, 1/2" NPT	BRASS
8	NOT USED	
9	TEE, 1/4" NPT	BRASS
10	COMPOUND GUAGE, 30 LBS-O-30 PSIG	5/5
11	OSCILLATION CHAMBER	304 5/5
14	PLUG CHAIN, 3/5"	
15	QUICK COUPLING, 3/8"	BRASS
16	QUICK COUPLING, THRD, 1/2"	BRASS
17	BALL VALVE, LIQ, 1/2" NPT	BRASS
18	CLOSE NIPPLE, 1/2" NPT	BRASS
19	BUSHING, 1/2" ENPT X 1" MNPT	BRASS
20	NOT USED	
21	RELIEF VALVE, 1/2" NPT, 15 PSIG	BRASS
22	FLANGE ASSY.	5/5
23	GUIDE TUBE, 7/8" O.D. X	3-10
24	CLAMP, LIGHT DUTY, 2/2"	BL-A
25	GASKET, 2/2"	
26	PLYM OUT (NOT SHOWN)	



**CalorAB**  
LITTON, N.J. 07036

MULTISHIELDED LIQUID HELIUM STORAGE  
DEVAR, 60 LITER CAPACITY

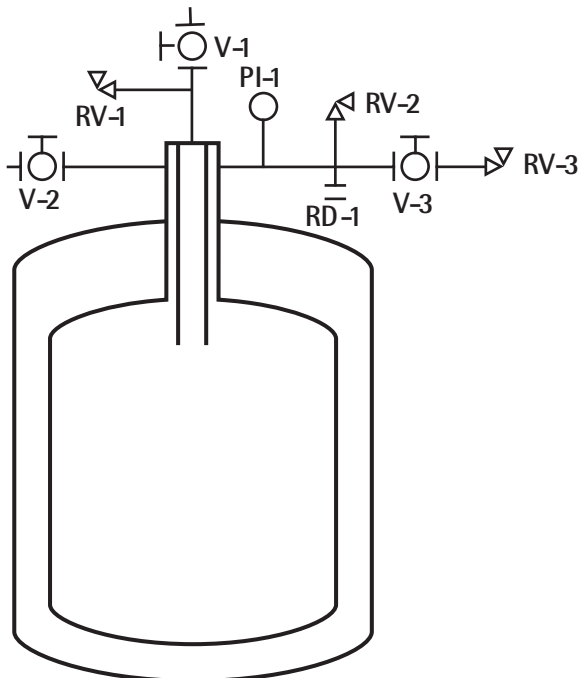
REV	DATE	DESCRIPTION	BY	CHKD

REVISIONS


NTS

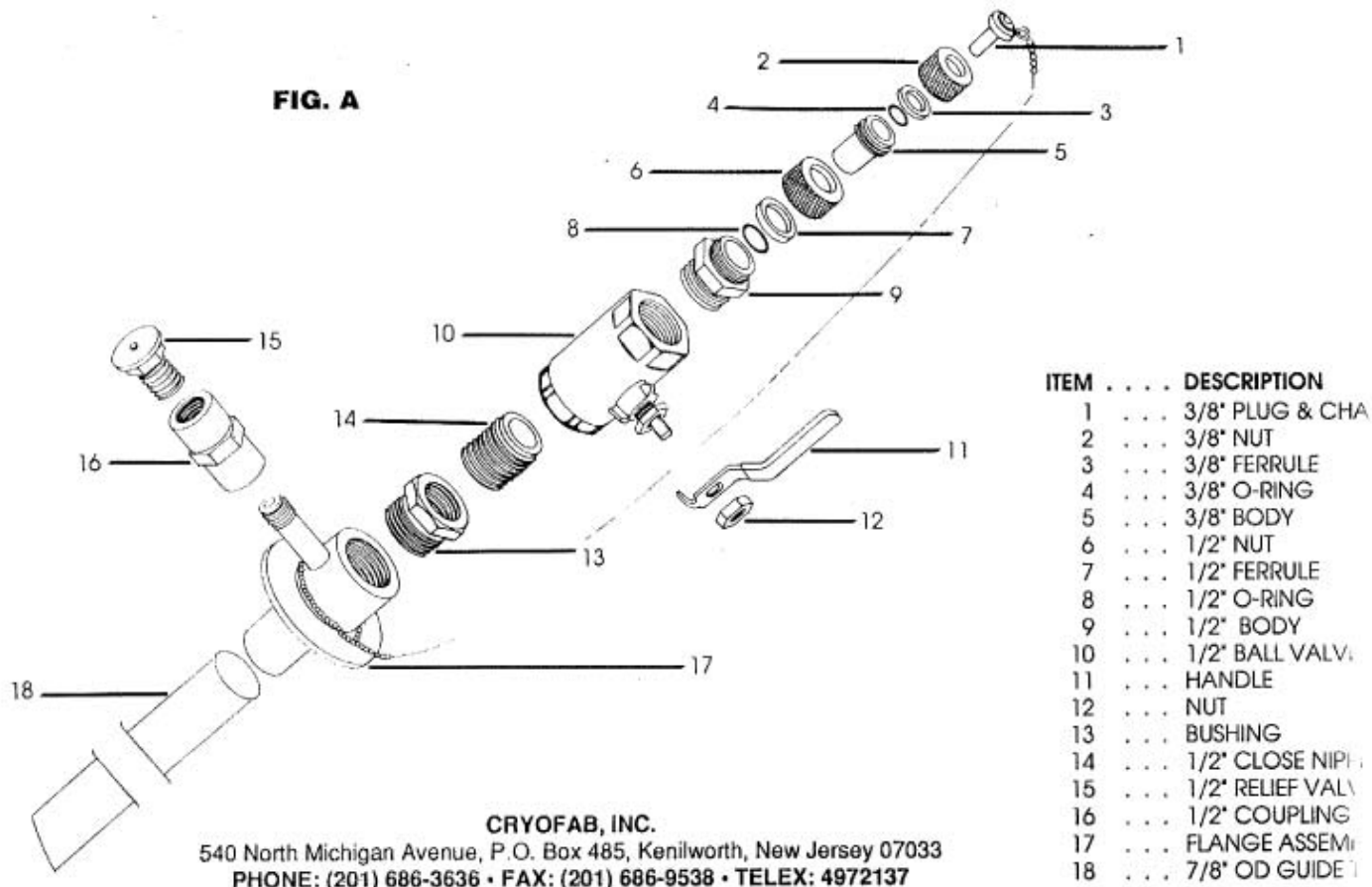
CM5H-60

### Piping Schematic



### 1/2" Liquid Access Port Assembly (for vessel capacities of 150 liters and less)

FIG. A



CRYOFAB, INC.

540 North Michigan Avenue, P.O. Box 485, Kenilworth, New Jersey 07033  
 PHONE: (201) 686-3636 • FAX: (201) 686-9538 • TELEX: 4972137