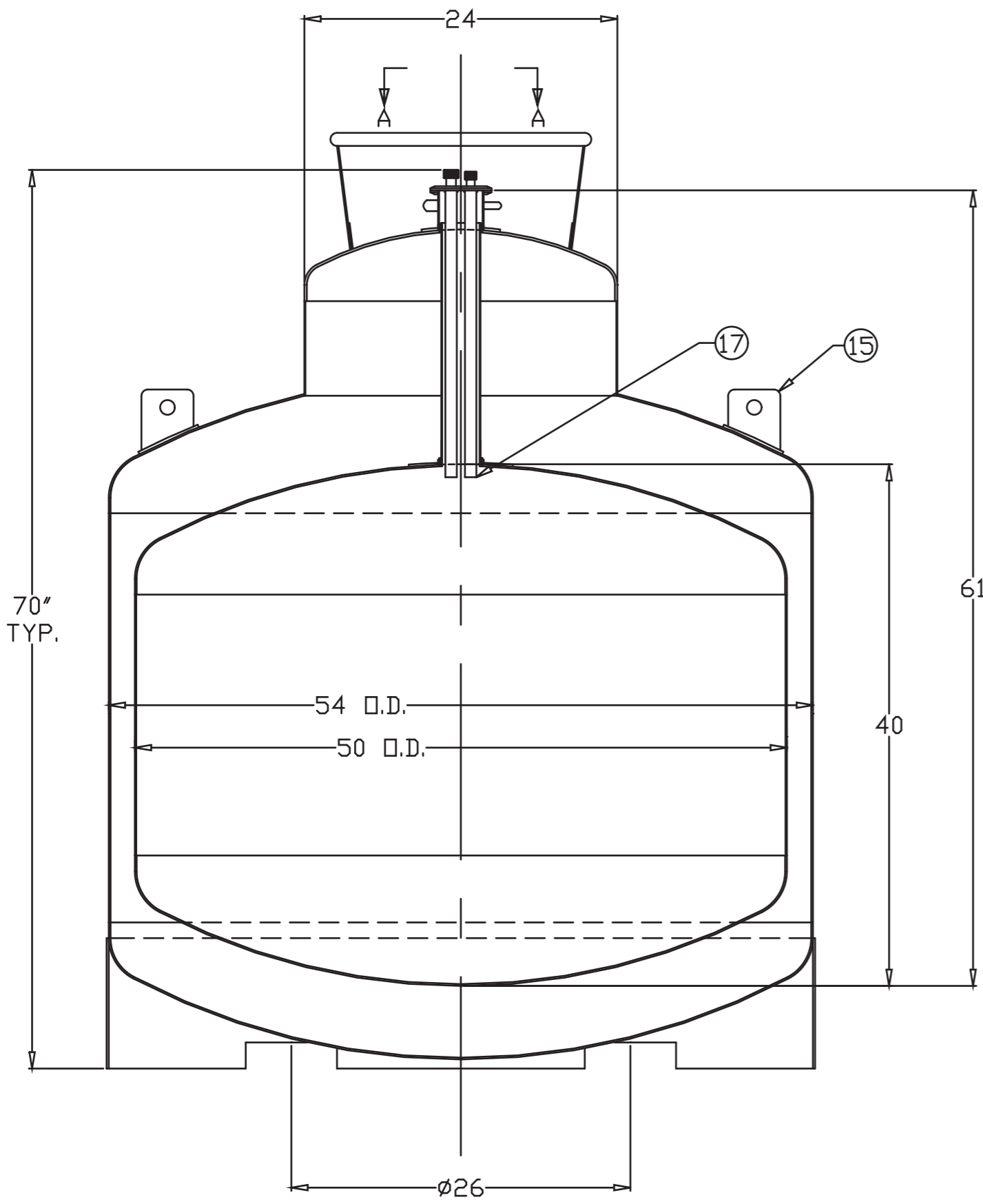
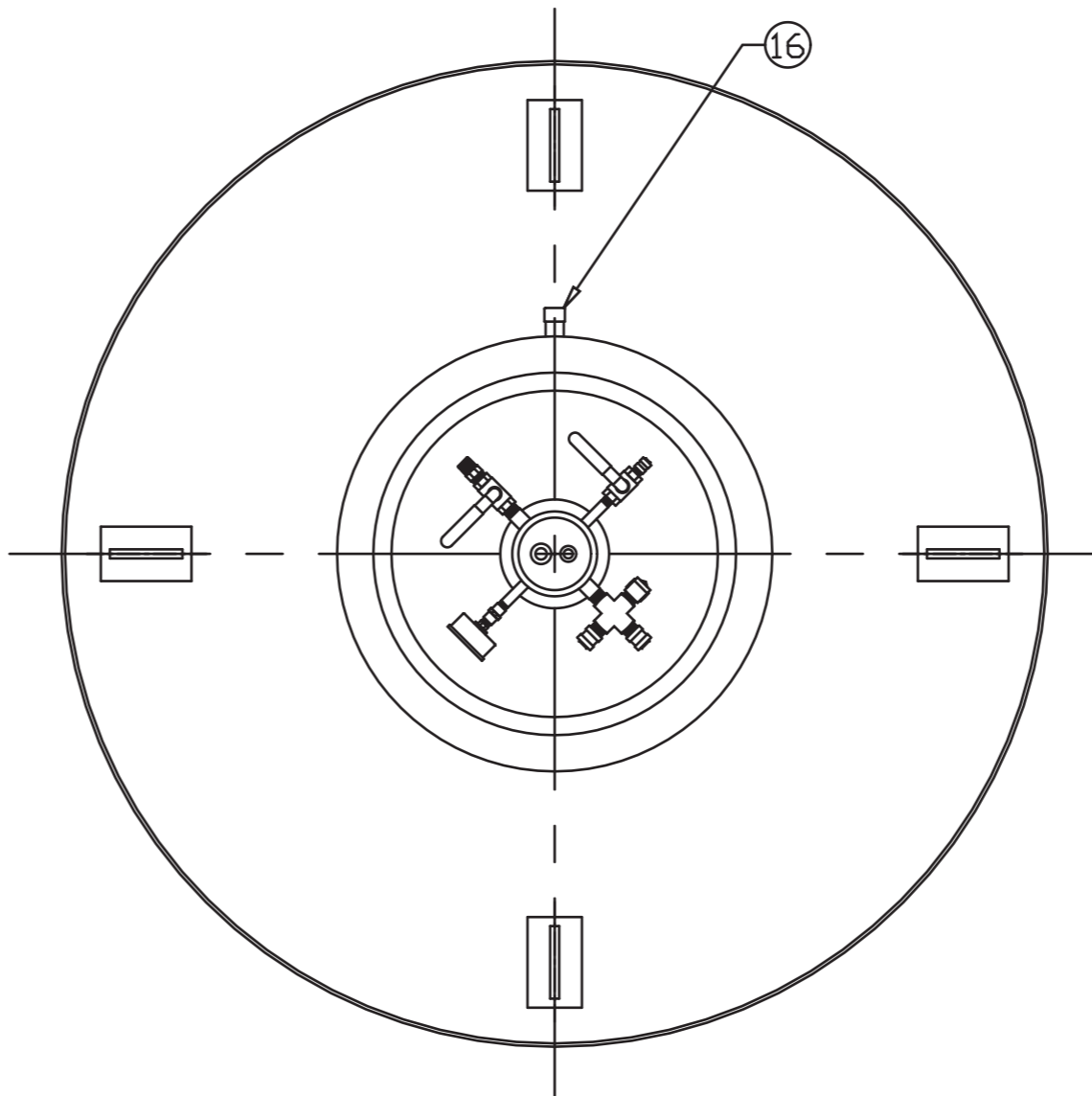


8 7 6 5 4 3 2 1

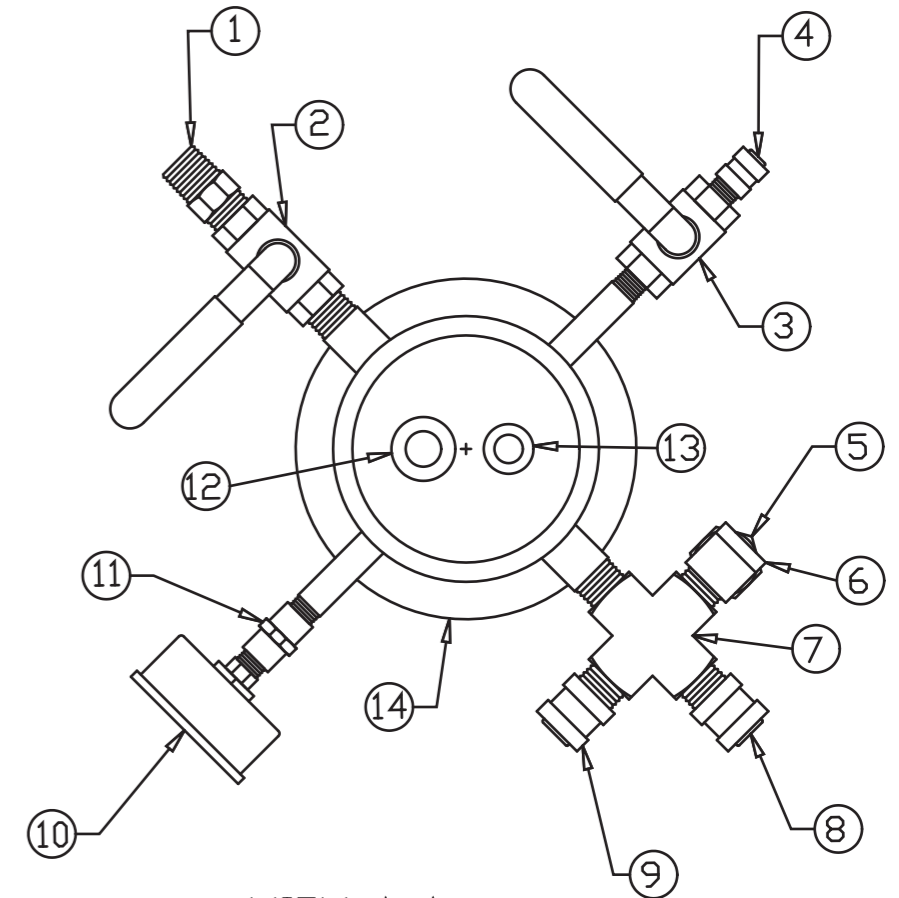
REVISIONS				
ZONE	REV	DESCRIPTION	DATE	APPROVED



ELEVATION VIEW



PLAN VIEW



VIEW A-A
SCALE 3:1

PARTS LIST			
NL	REQ.	DESCRIPTION	MATERIAL
1	1	HEX NIPPLE, 1/2"NPT	BRASS
2	1	BALL VALVE, 1/2"NPT	
3	1	BALL VALVE, 1/4"NPT	
4	1	RELIEF VALVE, 1/4"NPT, 1/2 PSIG	
5	1	RUPTURE DISC, 1/2"NPT, 35 PSIG	
6	1	EL.BOW, 90 DEG, 1/2"NPT	BRASS
7	1	CROSS, 1/2"NPT	BRASS
8	1	RELIEF VALVE, 1/2"NPT, 15 PSIG	
9	1	RELIEF VALVE, 1/2"NPT, 17 PSIG	
10	1	COMPOUND PRESSURE GAUGE, 30"HG-0-15 PSI	
11	1	COUPLING, 1/4"NPT	
12	1	QUICK COUPLING, 5/8"	BRASS
13	1	QUICK COUPLING, 1/2"	BRASS
14	1	FLANGE ASSEMBLY, 4"	SS304
15	4	LIFTING LUGS	SS304
16	1	VACUUM PUMP-OUT PORT	SS304
17	2	7/8" O.D. GUIDE TUBE	G-10

THIS DRAWING CONTAINS PROPRIETARY INFORMATION WHICH MUST NOT BE DUPLICATED WITHOUT WRITTEN PERMISSION FROM CRYOFAB, INC.

NOTES:
 SERVICE: LIQUEFIED HELIUM
 DESIGN TEMPERATURE: -452°F
 INNER VESSEL MAT'L: S/S TYPE 304
 VACUUM JACKET MAT'L: S/S TYPE 304

STANDARD NOTES:
 UNLESS NOTED OTHERWISE ALL DIMENSIONS ARE IN INCHES
 BREAK ALL SHARP EDGES
 TOLERANCES FRACTION±
 UNLESS .X±
 OTHERWISE .XX±
 SPECIFIED .XXX±
 ANGLES±



LIQUID HELIUM STORAGE DEWAR
 1000 LITER CAPACITY

SIGNATURE	DATE	SIZE	P.N.	DWG NO.	REV
T.T.	10/31/05	C		CMSH1000	
CHECKED		SCALE	NTS	WEIGHT	SHEET
APPROVED					

8 7 6 5 4 3 2 1