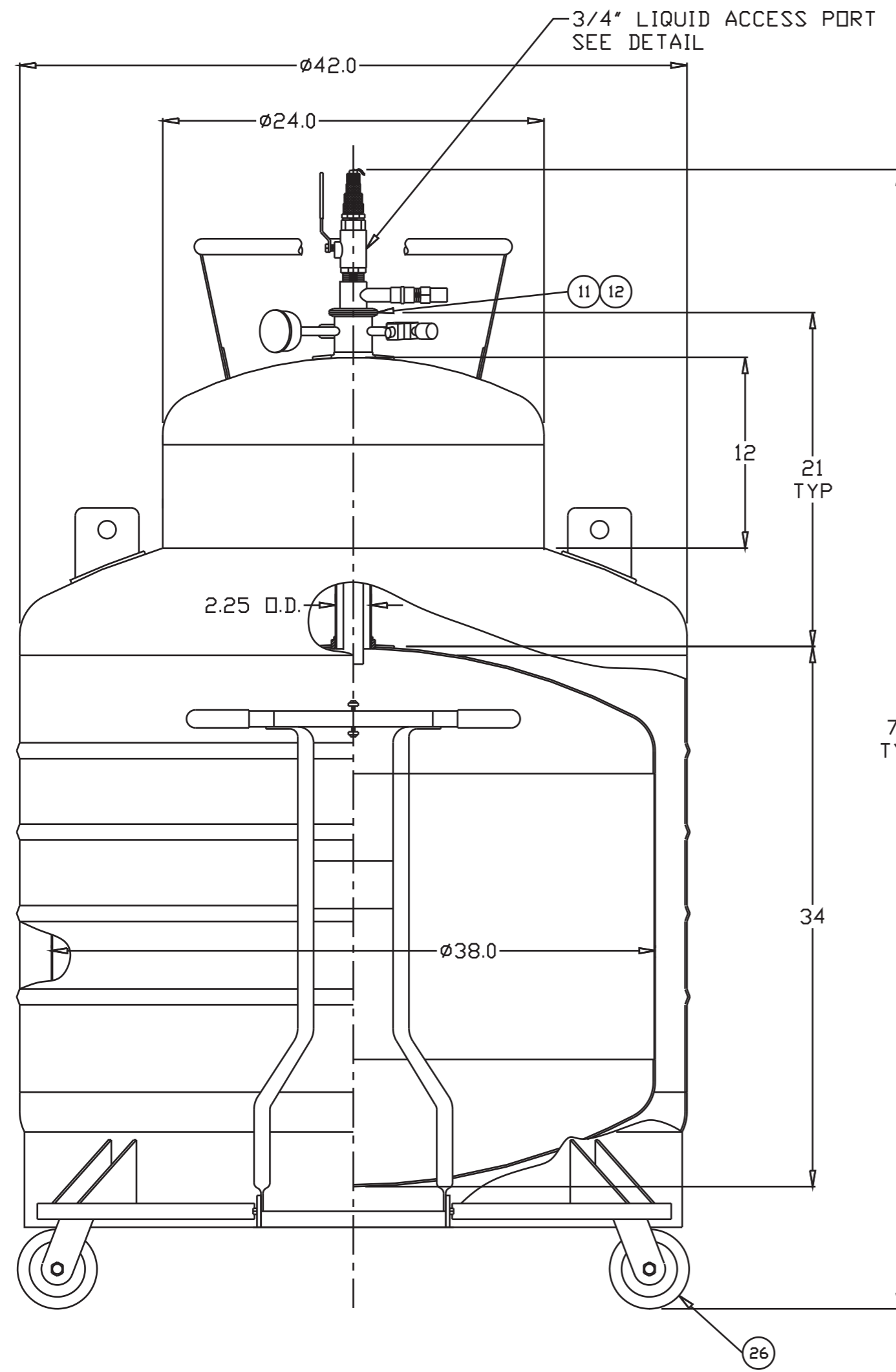
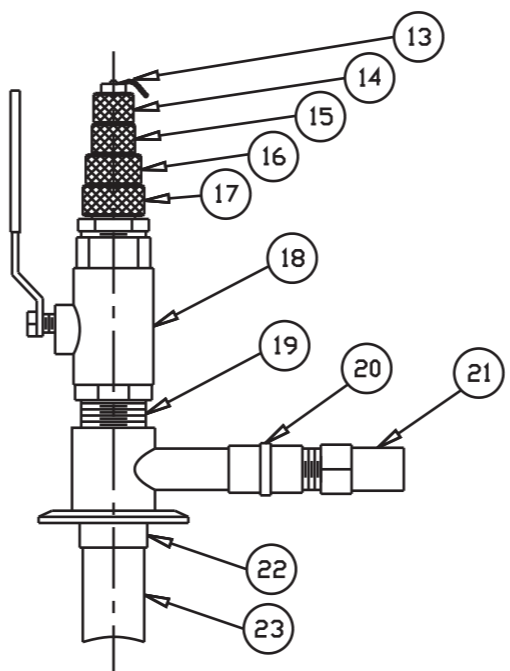
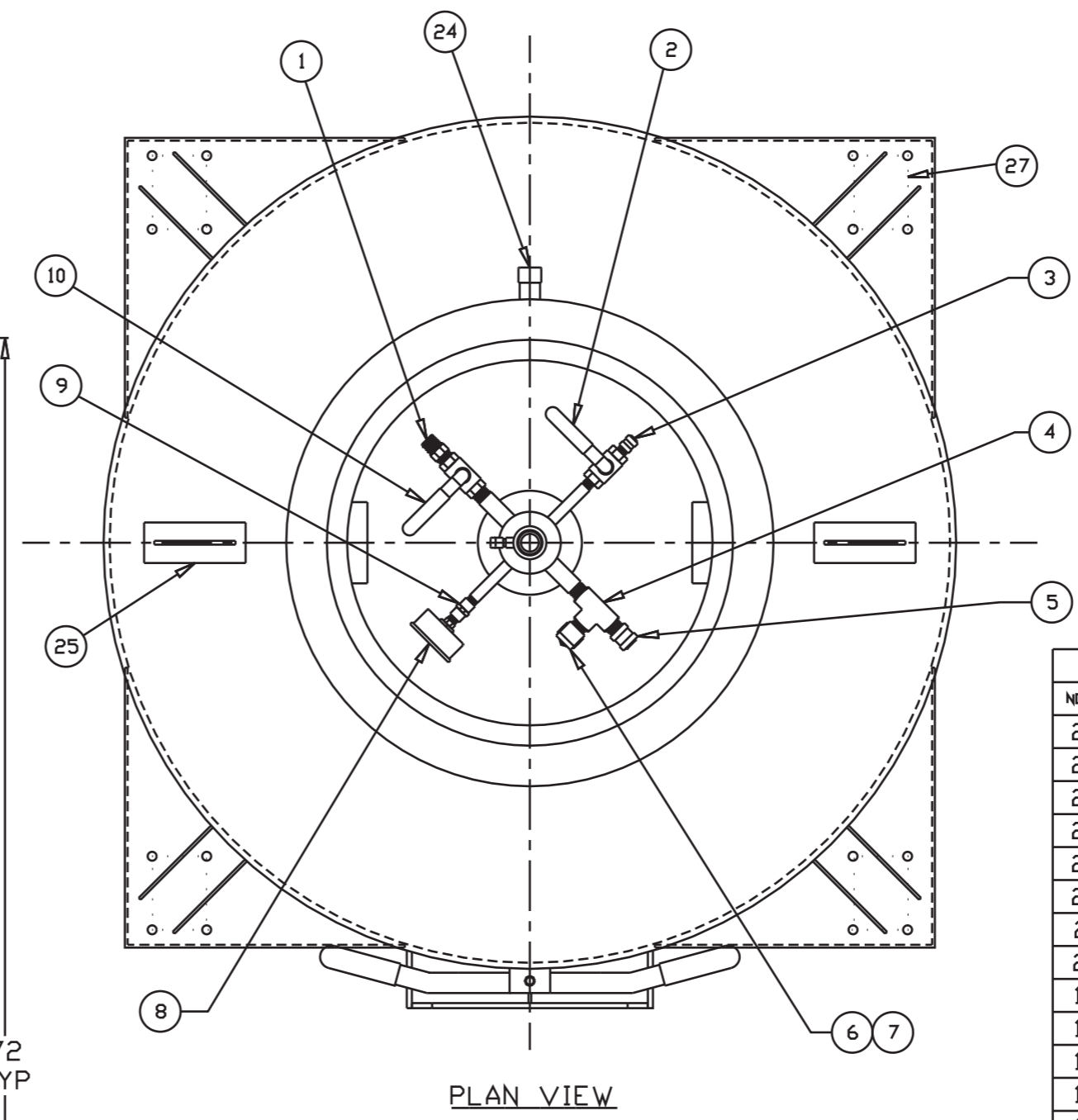


REVISIONS				
ZONE	REV	DESCRIPTION	DATE	APPROVED

NOTES:
 SERVICE: LIQUEFIED HELIUM
 DESIGN TEMPERATURE: -452°F
 OPERATING PRESSURE: 10 PSIG
 INNER VESSEL MAT'L: S/S TYPE 304
 VACUUM JACKET MAT'L: S/S TYPE 304

PARTS LIST			
NO.	REQ.	DESCRIPTION	MATERIAL
27	2	RIGID CASTERS	S/S
26	2	SWIVEL CASTERS	S/S
25	2	LIFTING LUGS	304S/S
24	1	PUMP-OUT PORT, 1"	BRASS
23	1	GUIDE TUBE, 1-1/4"D.D.	G-10
22	1	FLANGE ASSEMBLY	S/S
21	1	RELIEF VALVE, 1/2"NPT, 15PSIG	BRASS
20	1	HEX COUPLING, 1/2"NPT	BRASS
19	1	CLOSE NIPPLE, 1"NPT"	BRASS
18	1	BALL VALVE, 1"NPT	BRONZE
17	1	QUICK COUPLING, 3/4"	BRASS
16	1	QUICK COUPLING, 5/8"	BRASS
15	1	QUICK COUPLING, PLAIN, 1/2"	BRASS
14	1	QUICK COUPLING, 3/8"	BRASS
13	1	PLUG & CHAIN, 3/8"	BRASS
12	1	GASKET, 2-1/2"	BUNA
11	1	LADISH CLAMP, HEAVY DUTY, 2-1/2"	
10	1	BALL VALVE, 1/2"NPT	BRONZE
9	1	HEX COUPLING, 1/4"NPT	BRASS
8	1	COMPOUND PRESS. GAUGE, 30"HG-0-15PSIG	S/S
7	1	RUPTURE DISC, 1/2"NPT, 35PSIG	BRASS
6	1	ELBOW, 90°, 1/2"NPT	BRASS
5	1	RELIEF VALVE, 1/2"NPT, 10 PSIG	BRASS
4	1	TEE, 1/2"NPT	BRASS
3	1	RELIEF VALVE, 1/4"NPT, 1/2PSIG	BRASS
2	1	BALL VALVE, 1/4"NPT	BRONZE
1	1	HEX NIPPLE, 1/2"NPT	BRASS



STANDARD NOTES:
 UNLESS NOTED OTHERWISE ALL DIMENSIONS ARE IN INCHES
 BREAK ALL SHARP EDGES
 TOLERANCES FRACTION*
 UNLESS .X*
 OTHERWISE .XX*
 SPECIFIED .XXX*
 ANGLES*

CRYOFAB
 KENILWORTH, NJ 07033

500 LITER LIQUID HELIUM DEWAR

THIS DRAWING CONTAINS PROPRIETARY INFORMATION WHICH MUST NOT BE DUPLICATED WITHOUT WRITTEN PERMISSION FROM CRYOFAB, INC.

SIGNATURE	DATE	SIZE	P.N.	DWG NO.	REV
T.T.	8/26/08	C		CMSH500	
CHECKED		SCALE	1:5	WEIGHT	SHEET 1 OF 1
APPROVED					