



CMSH 350 Calibration

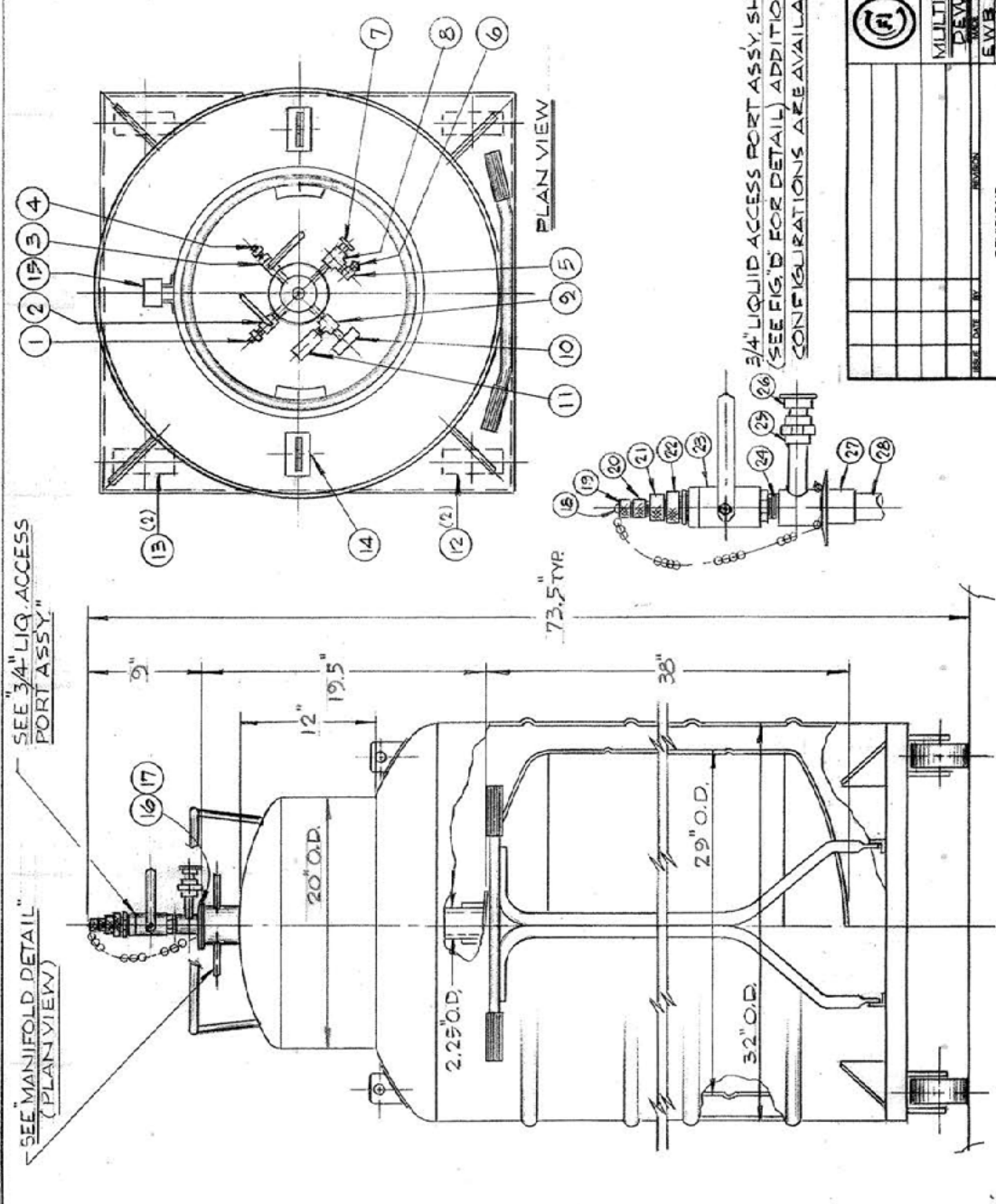
IN.	LITERS
1	1.5
2	5.8
3	13.5
4	23.2
5	33.8
6	44.6
7	55.3
8	66.0
9	76.8
10	87.5
11	98.3
12	109.0
13	119.7
14	130.5
15	141.2
16	151.9
17	162.7
18	173.4
19	184.1
20	194.9
21	205.6
22	216.3
23	227.1
24	237.8
25	248.5
26	259.3
27	270.0
28	280.8
29	291.5
30	302.2
31	313.0
32	323.7
33	334.4
34	345.1
35	354.8
36	362.4
37	366.8
38	368.3

CM	LITERS
1	0.2
2	0.9
3	2.1
4	3.6
5	5.7
6	8.1
7	11.1
8	15.0
9	18.7
10	22.6
11	26.8
12	31.0
13	35.2
14	39.4
15	43.6
16	47.9
17	52.1
18	56.3
19	60.5
20	64.8
21	69.0
22	73.2
23	77.4
24	81.7
25	85.9
26	90.1
27	94.3
28	98.6
29	102.8
30	107.0
31	111.3
32	115.5
33	119.7
34	123.9
35	128.2
36	132.4
37	136.6
38	140.8
39	145.1
40	149.3
41	153.5
42	157.7
43	162.0
44	166.2
45	170.4
46	174.6
47	178.9
48	183.1


CM	LITERS
49	187.3
50	191.5
51	195.8
52	200.0
53	204.2
54	208.5
55	212.7
56	216.9
57	221.1
58	225.4
59	229.6
60	233.8
61	238.0
62	242.3
63	246.5
64	250.7
65	254.9
66	259.2
67	263.4
68	267.6
69	271.8
70	276.1
71	280.3
72	284.5
73	288.8
74	293.0
75	297.2
76	301.4
77	305.7
78	309.9
79	314.1
80	318.3
81	322.6
82	326.8
83	331.0
84	335.2
85	339.5
86	343.6
87	347.7
88	351.6
89	355.2
90	358.8
91	361.5
92	363.8
93	365.6
94	366.9
95	367.9
96	368.3

Cryofab | sales(at)cryofab.com
 phone: 800.426.2186 | 908.686.3636
 fax: 908.686.9538
 540 North Michigan Avenue,
 PO Box 485
 Kenilworth, NJ, USA 07033

NO. REQ.	DESCRIPTION	MAT'L.
1	HEX NIPPLE, 1/2" NPT	BRASS
2	BALL VALVE, 1/2" NPT	BRONZE
3	BALL VALVE, 1/4" NPT	BRONZE
4	RELIEF VALVE, 1/4" NPT, 1/2" PSIG	BRASS
5	ELBOW, 90°, 1/2" NPT	BRASS
6	RUPTURE DISC, 1/2" NPT, 30 PSIG	BRASS
7	RELIEF VALVE, 1/2" NPT, 10 PSIG	BRASS
8	TEE, 1/2" NPT	BRASS
9	TEE, 1/4" NPT	BRASS
10	CORROSION GAUGE, 30 HG-0-15 PSIG	5/5
11	OSCILLATION CHAMBER	304 1/5
12	SWIVEL CASTERS	5/5
13	RIGID CASTERS	5/5
14	LIFTING LUGS	304 1/5
15	PUMP-O-LIT	
16	CLAMP, 2 1/2", HVY. DUTY	ELINA
17	GASKET, 2 1/2"	
18	PLUG & CHAIN, 3/8"	
19	QUICK COUPLING, 3/4"	BRASS
20	QUICK COUPLING, PLAIN, 1/2"	BRASS
21	QUICK COUPLING, 5/8"	BRASS
22	QUICK COUPLING, 3/4"	BRASS
23	BALL VALVE, 1" NPT	BRONZE
24	CLOSE NIPPLE, 1" NPT	BRASS
25	COUPLING, 1/2" NPT	BRASS
26	RELIEF VALVE, 1/2" NPT, 15 PSIG	BRASS
27	FLANGE ASSY	5/5
28	GUIDE TUBE, 1 1/4" O.D.	G-10



3/4" LIQUID ACCESS PORT ASSY, SHOWN.
 (SEE FIG. D FOR DETAIL) ADDITIONAL
 CONFIGURATIONS ARE AVAILABLE.



CRYOFAB
 KENILWORTH, N.J. 07033

**MULTISHIELDED LIQUID HELIUM STORAGE
 DEWAR, 350 LITER CAPACITY**

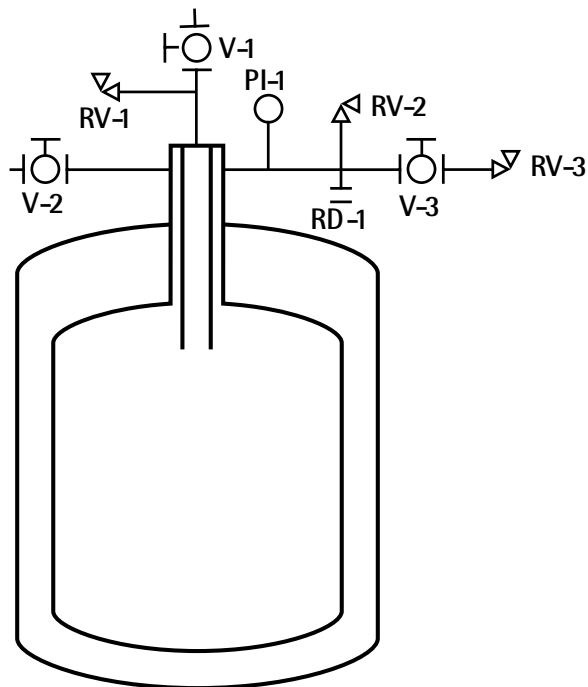
REV. 10/80
 6/30/9A

NO.	DESCRIPTION	DATE	BY
1	DESIGN		
2	DRAWING		

REVISIONS

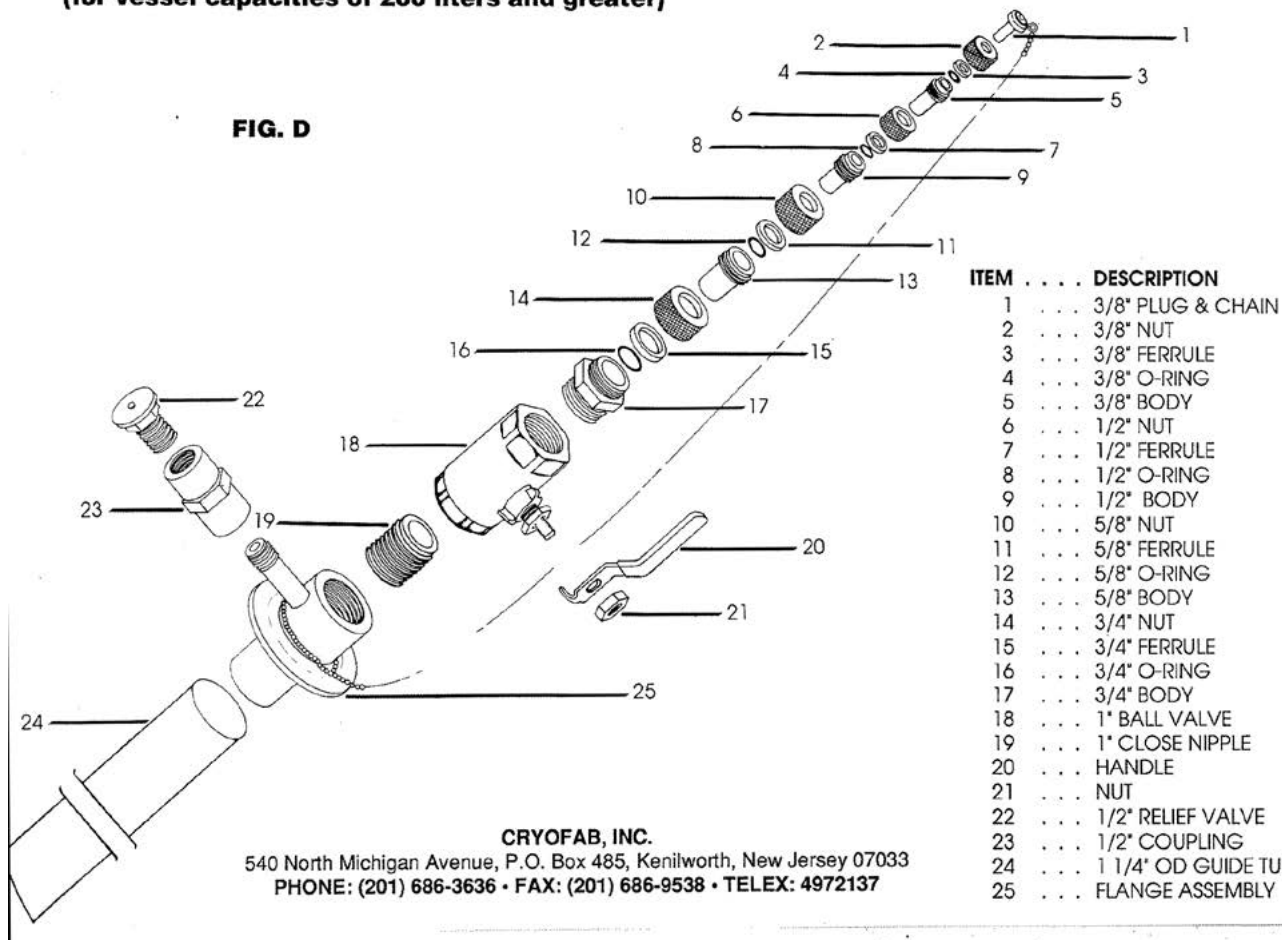
DATE	BY	REVISIONS	CM5H-350
------	----	-----------	----------

Piping Schematic



3/4" Liquid Access Port Assembly (for vessel capacities of 200 liters and greater)

FIG. D



CRYOFAB, INC.
540 North Michigan Avenue, P.O. Box 485, Kenilworth, New Jersey 07033
PHONE: (201) 686-3636 • FAX: (201) 686-9538 • TELEX: 4972137